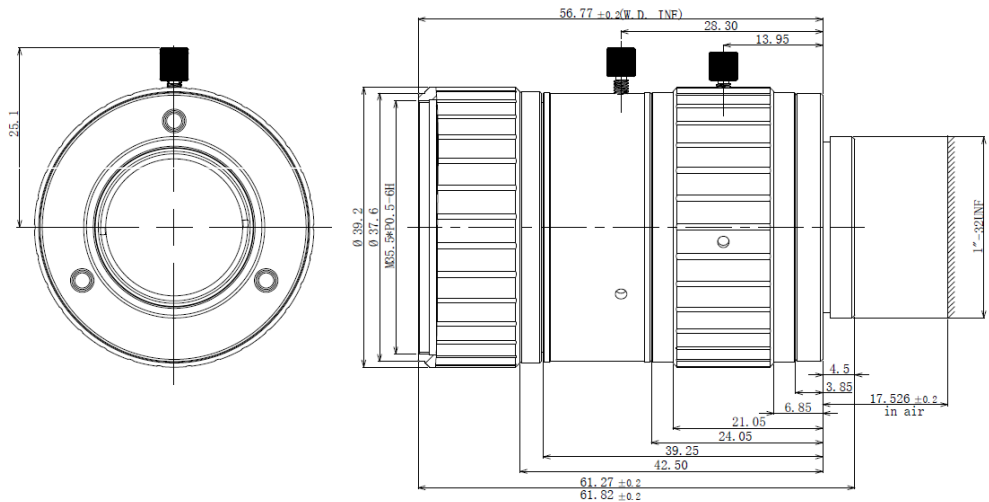


## FLU120-F50

50mm Focal Length



1.2" F4.0/16 C-Mount				
Focal Length		f=50mm		
Max Diameter(RATIO)		F=4.0~16		
Picture Size		1"	1.1"	Picture Size
Angle	H	13.0°	14.7°	Angle
	V	10.3°	11.1°	19.09°
	D	16.5°	18.3°	28.81°
Distortion(TV)		<0.05%		
Focus distance(min)		0.5M		
Flange back		17.526mm in air		
Back focus		19.6mm in air		
Filter screw size		M35.5x0.5		
Dimension		Φ38.6x56.77mm		
Mount		C-Mount		
Temperature Range		-10~+50°C		
Storage Temperature Range		-20~+60°C		