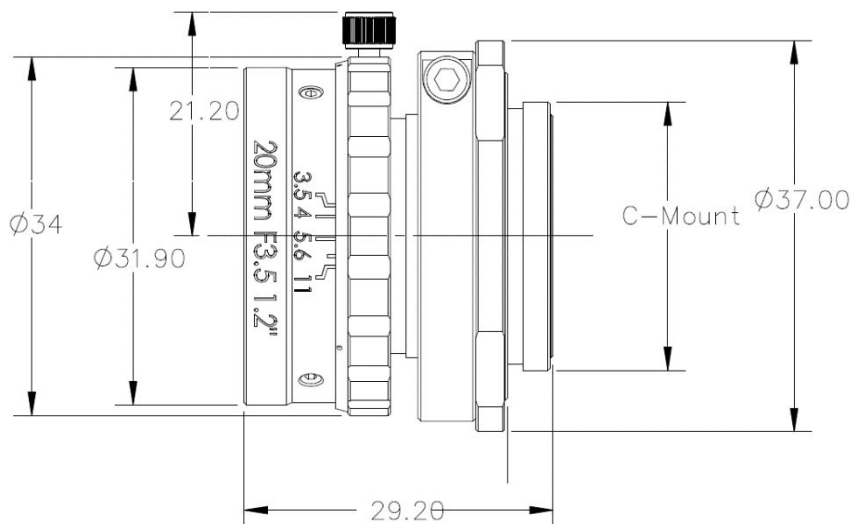


FLU120-F20

20mm Focal Length



1.2" C-Mount				
Focal Length		f=20mm		
Max Diameter(RATIO)		F=3.5~11		
Picture Size		1"	1.1"	1.2"
Angle	H	37.8°	42.3°	43.7°
	V	30.2°	32.4°	38.3°
	D	40.7°	51.6°	55.8°
Distortion(TV)		<0.5%		
Focus distance(min)		0.2m		
Filter screw size		M30.5x0.5		
Dimension		$\phi 34 \times 29.2$ mm		
Mount		C-Mount		
Storage Temperature Range		-20~+60°C		