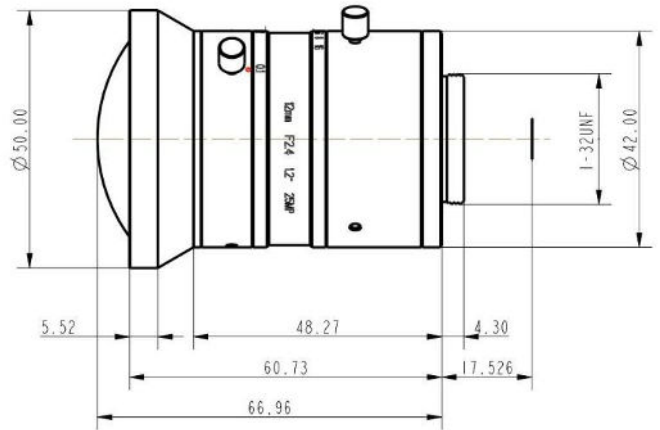


FLU120-F12

12mm Focal Length

- Macro Designed For Machine Vision Application
- High Resolution, High Contrast, and Low Distortion
- Work with 1/3"-1.2" Format Camera and Focal Length is 12mm
- Perfect Substitute For FA Lens From Japan Like Tamron, CBC, VST, Ricoh ect



1.2" F2.4/16 C-Mount		
Focal Length		f=12mm
Max Diameter(RATIO)		F=2.4~16
CCD		1.2"
Angle	H	62.33°
	V	55.33°
	D	76.12°
Distortion(TV)		0.39%
Focus distance(min)		0.3m
Support CCD		φ1.2"(Φ 19.3mm)
Filter screw size		No
Back focal length		17.526mm
Mount		C-Mount
Temperature Range		-10~+50°C
Working wave length(nm)		400~660nm