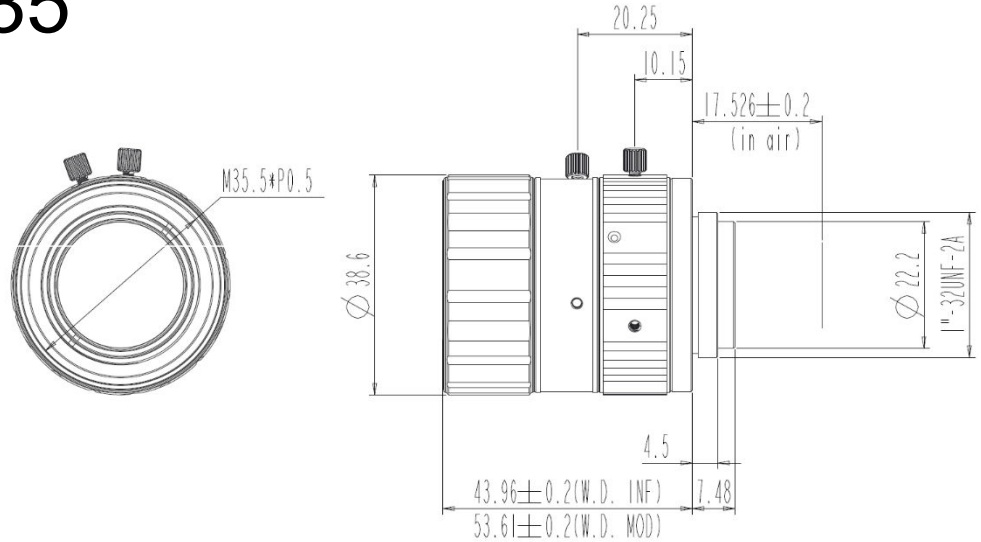


# FLU100-F35

35mm Focal Length



1" C-Mount				
Focal Length		f=35mm		
Max Diameter(RATIO)		F=2.8~16		
Picture Size		1.1"	1"	2/3"
Angle	H	21.4°	18.9°	12°
	V	15.9°	15.1°	10.9°
	D	26.7°	24.1°	17.0°
Distortion(TV)		<0.05%		<
Focus distance(min)		0.2M		
Filter screw size		M35.5x0.5		
Front/Rear Effective Dia		Front $\Phi 38.6$ mm    Rear $\Phi 22.2$ mm		
Mount		C-Mount		
Temperature Range		-10~+50°C		
Storage Temperature Range		-20~+60°C		