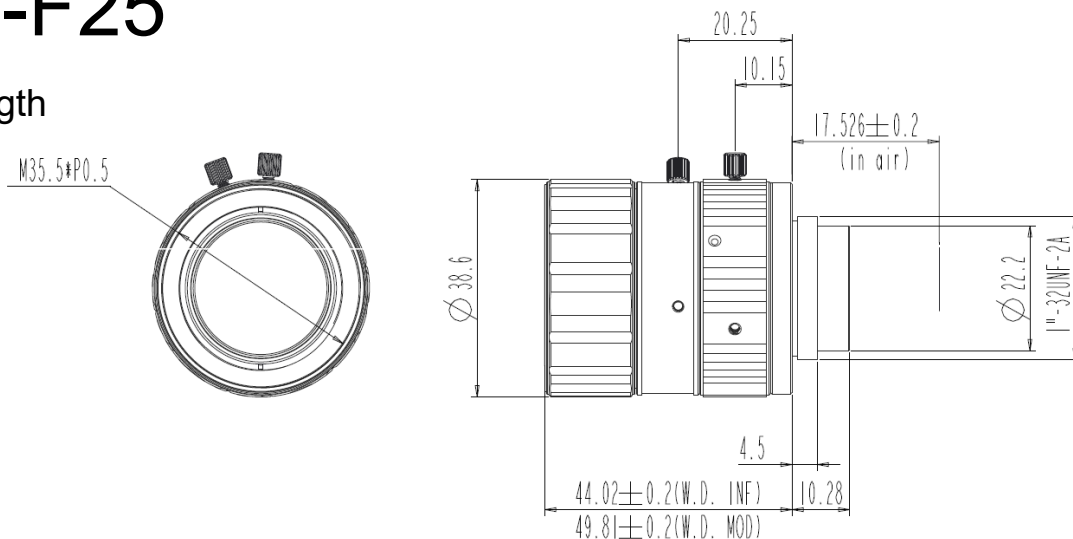


FLU100-F25

25mm Focal Length



1" C-Mount				
Focal Length		f=25mm		
Max Diameter(RATIO)		F=2.8~16		
Picture Size		1.1"	1"	2/3"
Angle	H	30.4°	26.95°	18.5°
	V	23°	21.44°	15.5°
	D	37.3°	33.92°	23.9°
Distortion(TV)		<0.2%		
Focus distance(min)		0.15M		
Filter screw size		M35.5x0.5		
Front/Rear Effective Dia		Front Φ38.6mm Rear Φ22.2mm		
Mount		C-Mount		
Temperature Range		-10~+50°C		
Storage Temperature Range		-20~+60°C		