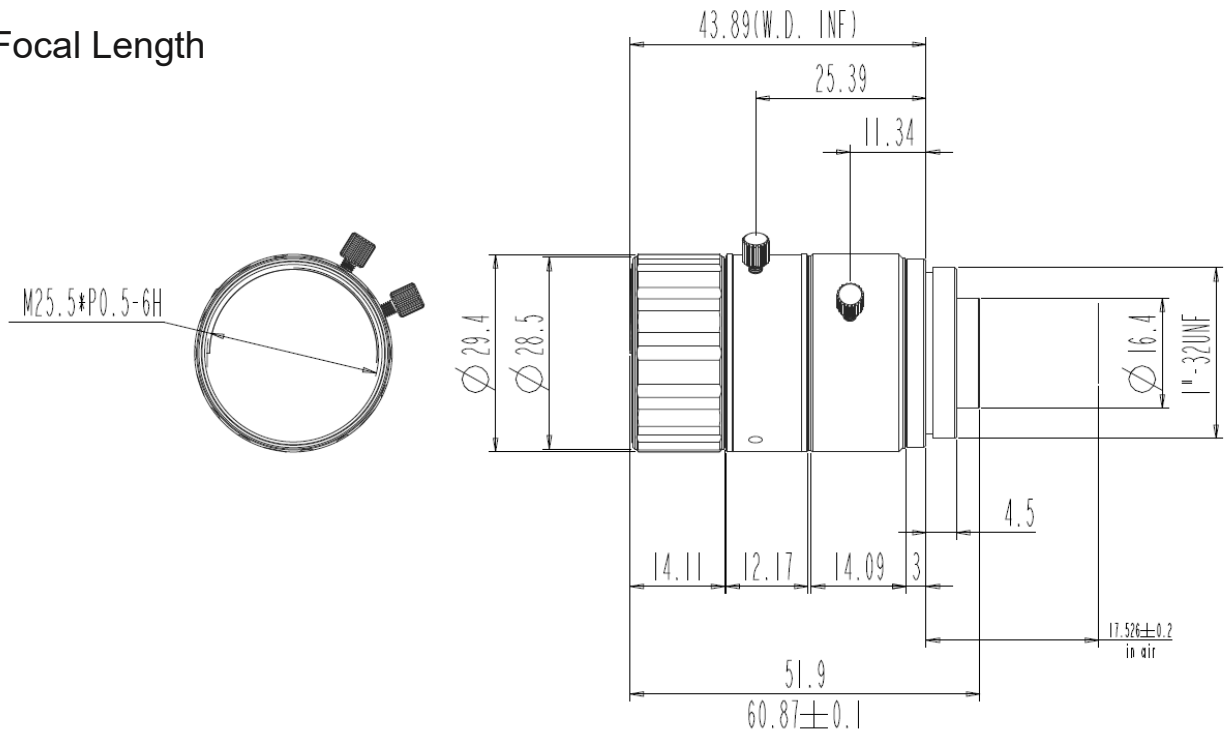


FLS118-F50

50mm Focal Length



1/1.8" C-Mount				
Focal Length		f=50mm		
Max Diameter(RATIO)		F=2.8~16		
Picture Size		1/1.7"	1/8"	1/2"
Angle	H	8.07°	8.0°	7.0°
	V	6.1°	5.4°	5.2°
	D	10.11°	9.7°	8.7°
Distortion(TV)		<0.03%		
Focus distance(mm)		300mm		
Support CCD		φ9.4mm		
Filter screw size		M25.5 P0.5		
Back focal length		17.526mm		
Mount		C-Mount		