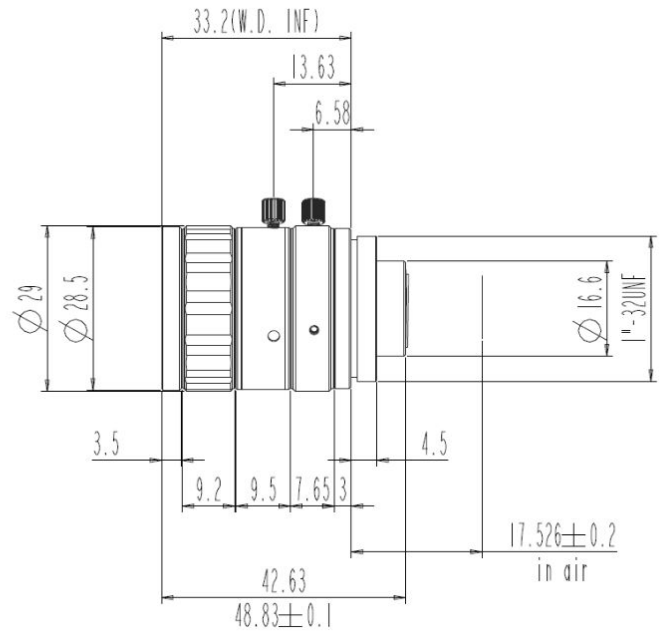
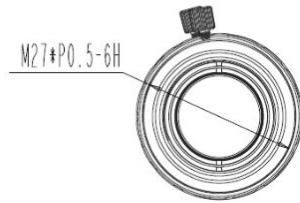


FLS118-F16

16mm Focal Length



1/1.8" C-Mo int				
Focal Length		f=16mm		
Max Diameter(RATIO)		F=2.8~16		
Picture Size		1/1.7"	1/8"	1/2"
Angle	H	25.94°	25.7°	22.3°
	V	19.72°	17.5°	16.9°
	D	32.14°	31°	28.0°
Distortion(TV)		<0.06%		
Focus distance(mm)		110mm		
Support CCD		φ9.4mm		
Filter screw size		M27.0 P0.5		
Back focal length		17.526mm		
Mount		C-Mount		