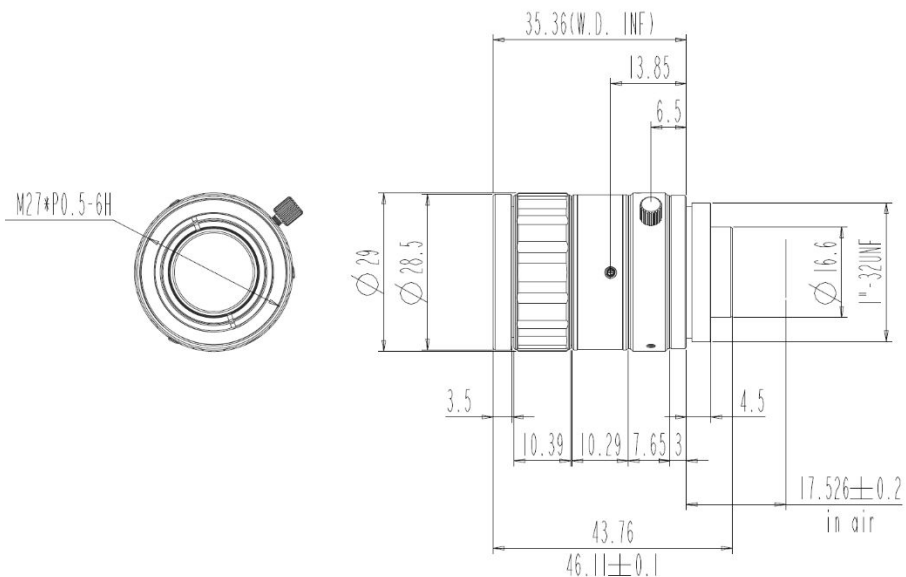


# FLS118-F12

12mm Focal Length



1/1.8" C-Mount				
Focal Length		f=12mm		
Max Diameter(RATIO)		F=2.8~16		
Picture Size		1/1.7"	1/8"	1/2"
Angle	H	34.74°	34.4°	30.2°
	V	26.56°	23.4°	22.8°
	D	42.71°	41.2°	37.2°
Distortion(TV)		<0.2%		
Focus distance(mm)		110mm		
Support CCD		φ9.4mm		
Filter screw size		M27.0 P0.5		
Back focal length		17.526mm		
Mount		C-Mount		