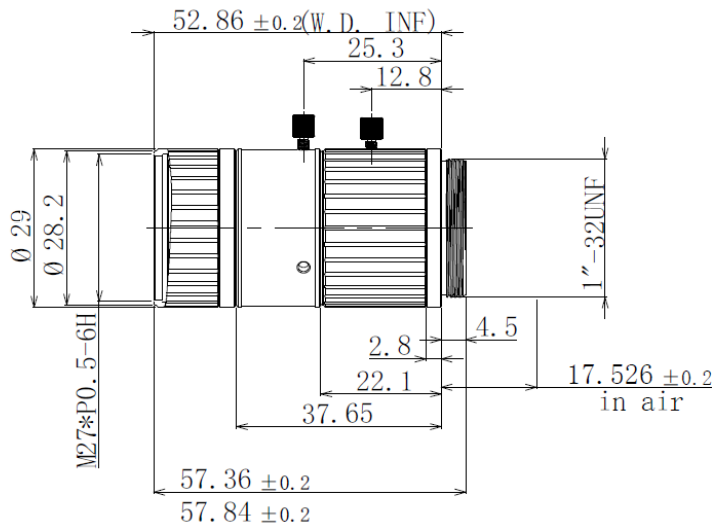
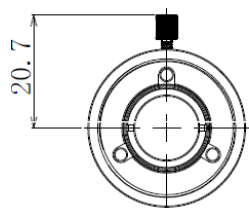


FLH230-F50

50mm Focal Length



2/3" C-Mount				
Focal Length		f=50mm		
Max Diameter(RATIO)		F=2.8~16		
Picture Size		2/3"	1/1.8"	1/2"
Angle	H	10°	7.74°	6.71°
	V	7.5°	5.09°	4.96°
	D	12.6°	9.33°	8.41°
Distortion(TV)		<0.03%		
Focus distance(mm)		300mm		
Filter screw size		M27*P0.5		
Support CCD		11.4mm		
Mount		C-Mount		