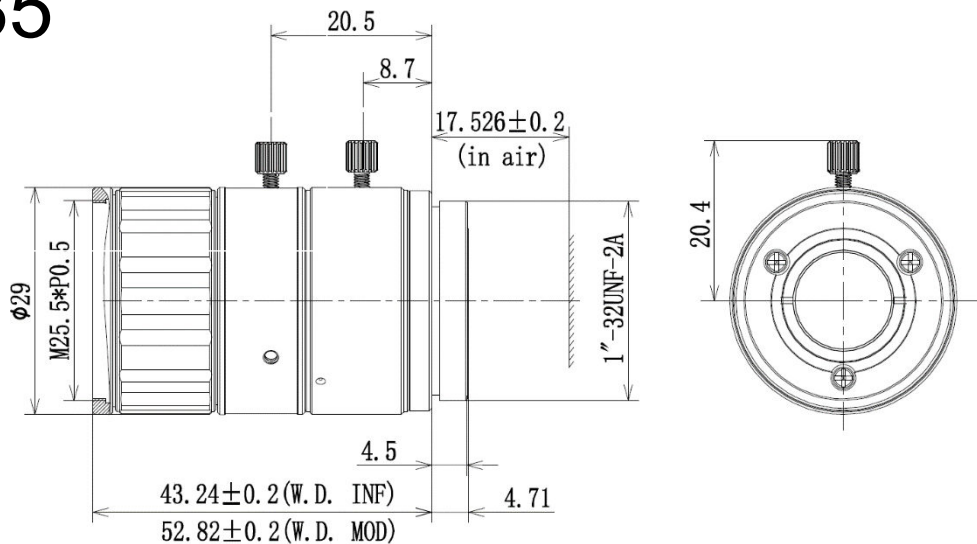


FLH230-F35

35mm Focal Length



2/3" C-Mount				
Focal Length		f=35mm		
Max Diameter(RATIO)		F=2.0~16		
Picture Size		2/3"	1/1.8"	1/2"
Angle	H	12.8°	11.7°	14°
	V	10.7°	7.4°	10.5°
	D	16.49°	13.45°	17.4°
Distortion(TV)		<0.1%		
Focus distance(min)		0.2m		
Max sensor size		Φ11.4mm		
Filter screw size		M25.5*P0.5		
Mount		C-Mount		