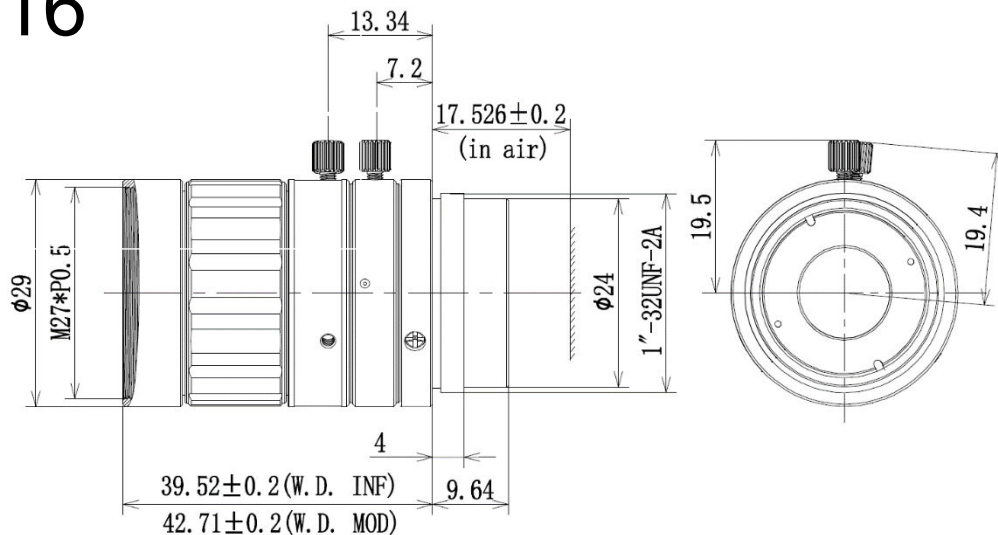


FLH230-F16

16mm Focal Length



| 2/3" C-Mount | | | | |
|---------------------|---|----------------------|--------|-------|
| Focal Length | | f=16mm | | |
| Max Diameter(RATIO) | | F=2.0~16 | | |
| Picture Size | | 2/3" | 1/1.8" | 1/2" |
| Angle | H | 29.3° | 26.8° | 22.4° |
| | V | 24.7° | 17.3° | 16.8° |
| | D | 37.4° | 30.8° | 27.6° |
| Distortion(TV) | | <0.2% | | |
| Focus distance(min) | | 0.1m | | |
| Max sensor size | | $\phi 11.4\text{mm}$ | | |
| Filter screw size | | M27*P0.5 | | |
| Mount | | C-Mount | | |