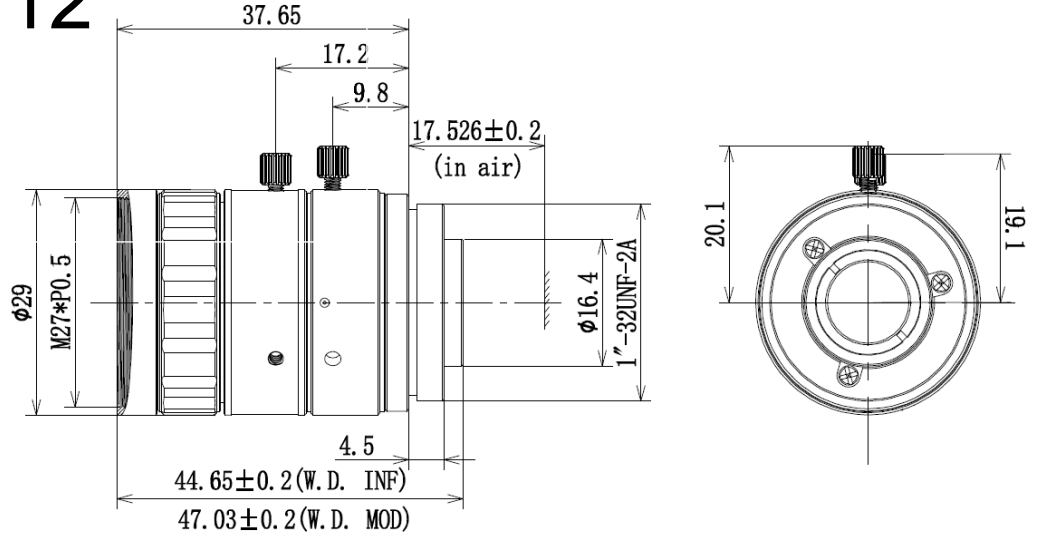


FLH230-F12

12mm Focal Length



2/3" C-Mount				
Focal Length		f=12mm		
Max Diameter(RATIO)		F=2.0~16		
Picture Size		1/1.8"	1/2"	2/3"
Angle	H	33.1°	29.0°	39.7°
	V	22.3°	21.9°	27.5°
	D	39.7°	35.8°	48.1°
Distortion(TV)		<0.5%		
Focus distance(min)		0.11m		
Max sensor size		Φ11.4mm		
Filter screw size		M27*P0.5		
Mount		C-Mount		