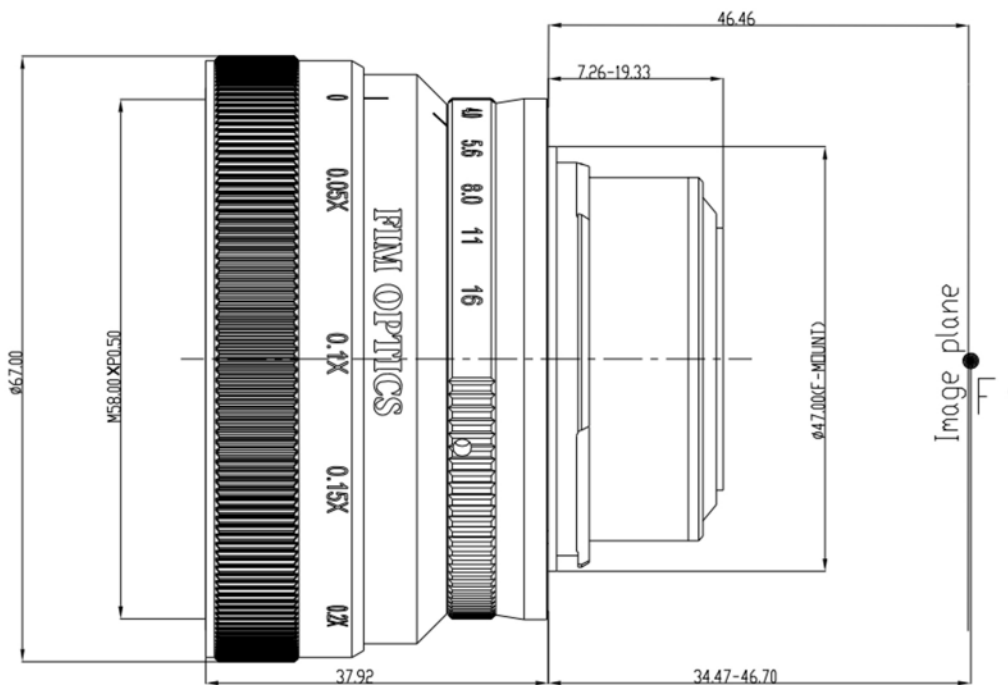


EL4.0/40-F/62.5

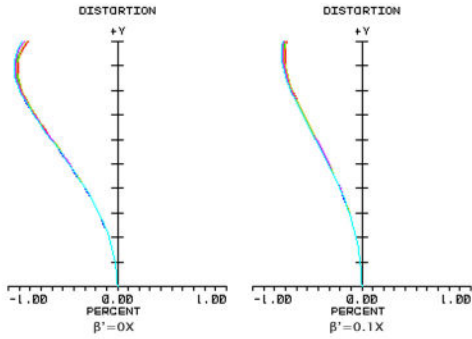
Specifications

Part Number	F200440	HH'	12.76mm
Focal Length	40.7mm	Mount	F-Mount
Image Circle	62.5mm	MaxD	Φ67
Max. F#	F4.0	Filter	M58×0.5
Magnification	0-0.2	Σd	37.92mm
Spectrum	400-710	A'	7.26mm-19.33mm
Working Distance	145mm-∞	A'f	34.47mm-46.70mm
Resolution	3.45 μm		

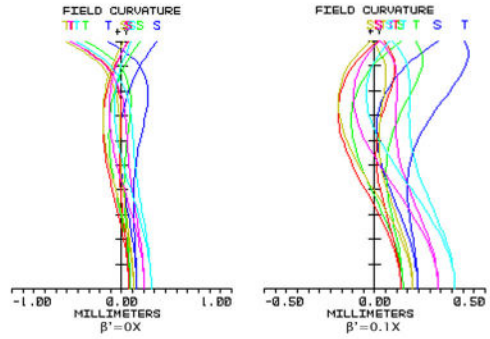
Mechanical Drawing



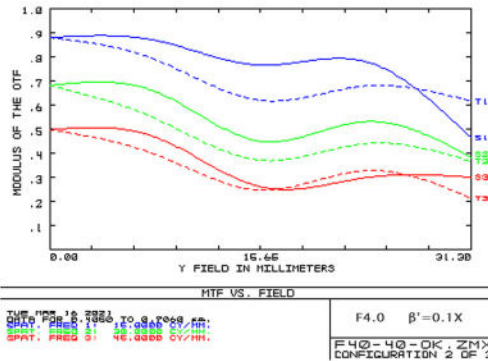
Distortion



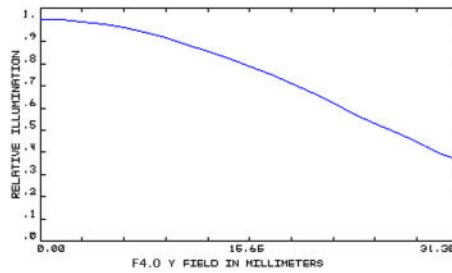
Field Curvature



Modulation to Relative Image Height



Relative Illumination



Transmittance

