

MY125M-E Lens

Ultrawide - Multi Megapixel - No Distortion



125° without distortion

- ❖ **Ruggedized** lens with metal barrels and locking focus and iris rings
- ❖ **Ultra wide** field of view sees the complete image while the operator can digitally pan-tilt-zoom (dPTZ)
- ❖ Patented Linear Optical Technology[®] enables a rectilinear lens with very **low distortion** for maximum resolution
- ❖ Supports **multi megapixel** resolution cameras for demanding applications
- ❖ **Pan focus** keeps near and far objects continuously in focus without lens adjustment



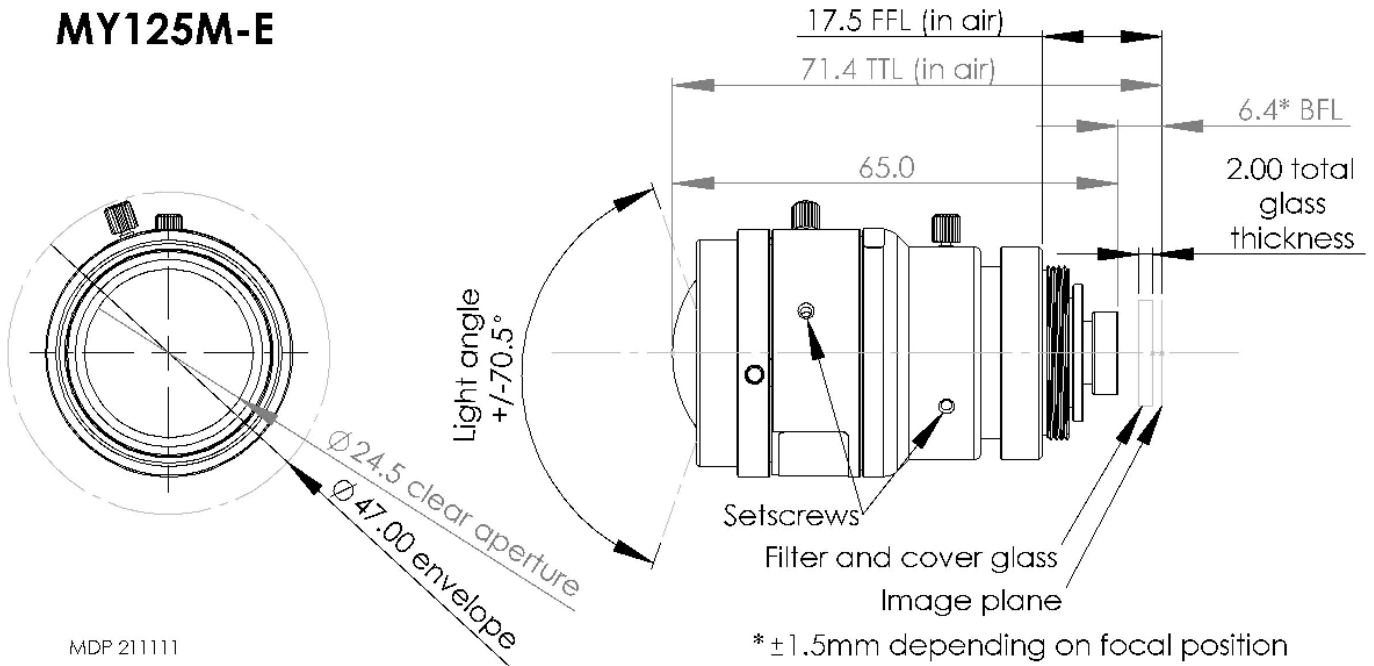
Typical wide angle lens

Lens	MY125M-E	MY125M-E-6S
Focus lock	Thumbscrew and 2 setscrews	3 setscrews
Iris lock	Thumbscrew and 2 setscrews	3 setscrews
Mount type	C-mount	
Iris type	Manual	
Focal length	1.3 mm	
F/#	F/1.8 to closed	
Image circle	6.9mm	
Resolution	Up to 5 megapixels	
Distortion (H)	<3% barrel (for 1/3" sensor)	
Linear Optical Technology [®]	Yes (note: this technology causes the image to be flipped)	
Pan-focus distance	0.3m to ∞	
Minimum focus distance	0.1m	
Back focal length	6.4mm (+/- depending on focus distance)	
Weight	103g	

Sensor size	1/4"	1/3"	1/2.5" *
Field of view (H)	109°	125°	135°
Field of view (V)	93°	109°	119°
Field of view (D)	122°	137°	141°

*Some vignetting may occur using a 1/2.5" sensor depending on sensor mechanical tolerance.

MY125M-E



MDP 211111

For further information, contact:

Theia Technologies
 info@TheiaTech.com
www.TheiaTech.com
 Phone: 503-570-3296