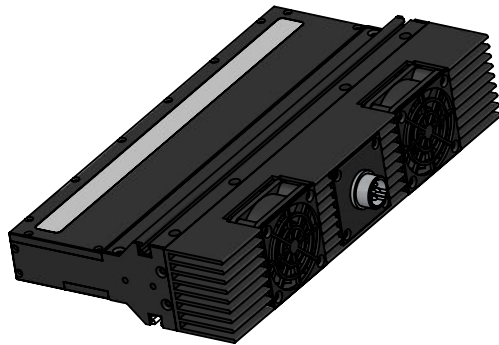
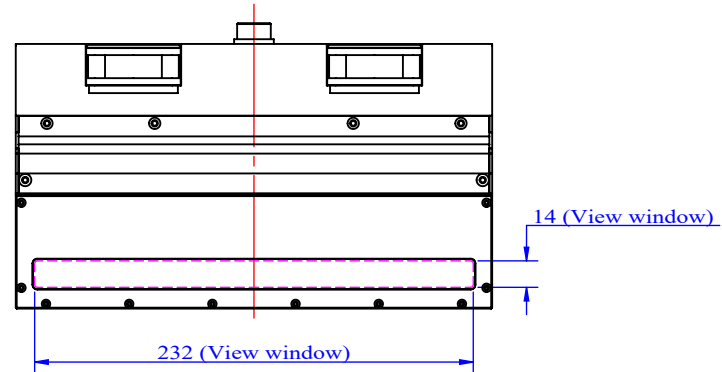
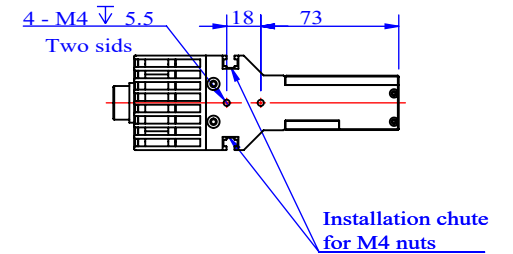
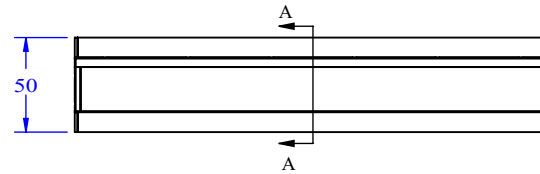
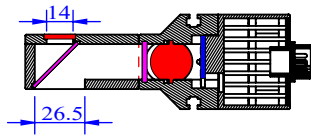

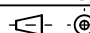


A-A



	Description	Coaxial line scan light		Parameters				Design	Approve	Date	
	Item No.	SBS-LSLC232-X		Voltage (V)	Max power(W)			Wucad	Chen	9-16-2023	
	Versions	Material	Surface treatment		R	W/B/G	IR	UV	Weight	View angle	Ratio
	V1.0.1	Aluminum	Anodize	48	***	91.35					1:4