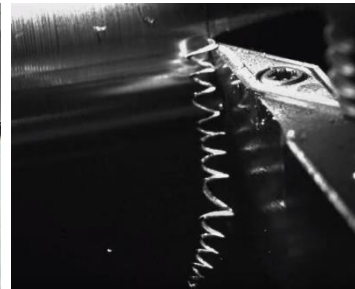
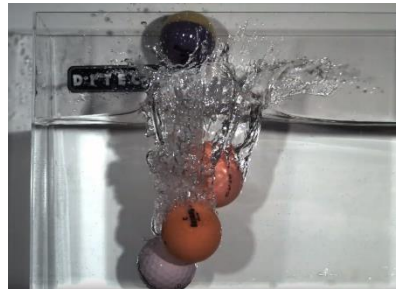


Digital high speed camera

D I T E C T
Digital Image Technology





High speed cameras used to refer to the ones with 30fps or faster, but now we often find 60fps even with general digital cameras. There is no clear definition but now it is usually 100fps or faster to be recognized as “high speed camera”.

At DITECT, we keep challenging every day to provide you the ability to see what you cannot see with your eyes. In order to provide you the sharp vision to precisely understand the problems you are facing in medical, production, construction, research, and any other fields, a wide variety of images are captured, tracked, and analyzed with our latest cameras and software. We are small, focused company and highly specialized in our field, with a solid customer base and years of experience.

Applications

Automotive

Crash tests, Air bag safety test, Spray analysis, Car door closure force test, Suspension test, etc.

Engineering

Bubble formation, Wind tunnel, Combustion, etc.

Industrial

Assembly, Packaging, Production line, etc.

R&D (Research & Development)

Machine trouble shooting, Impact test, Drop test, etc.

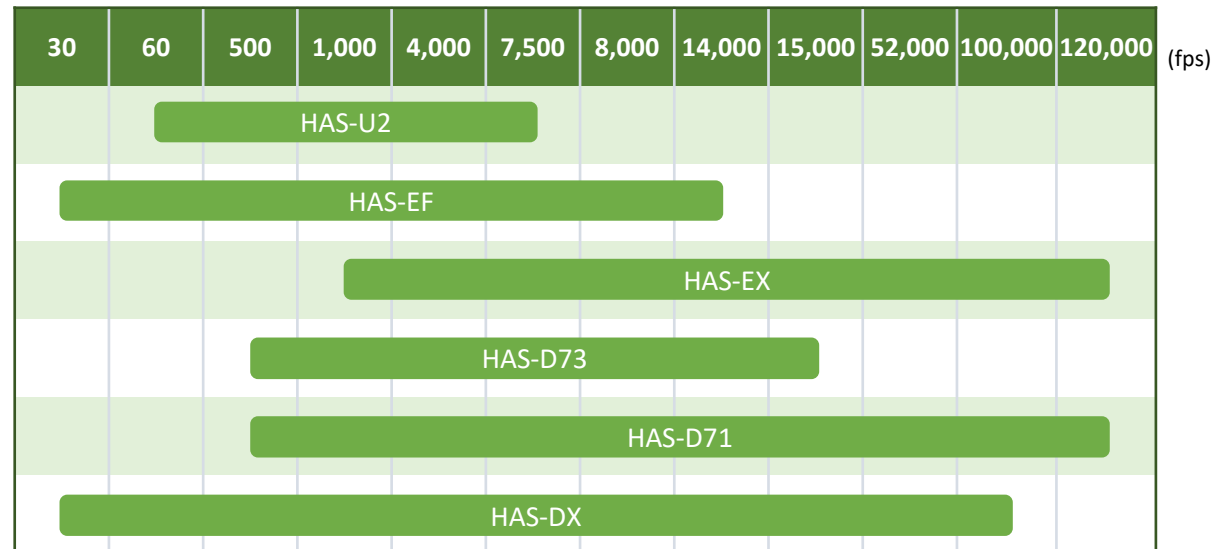
Athletics & Sports

Biomechanics, Performance improvement, Gait analysis, etc.

Biological

Aerodynamics of insect flight, Behavioral analysis, etc.

FPS comparison chart



HAS-DX



- ◆ Full HD resolution at 2,000fps
- ◆ Maximum shooting speed at 100,000fps

Suitable applications...

- ◆ Crash test
- ◆ Droplet dispersion
- ◆ Welding process visualization

| | | | |
|----------------------|------------------------------------|-------------------------|---|
| Camera type | Monochrome, Color | Exposure time | Minimum 2.5µsec |
| Sensor type | CMOS | Pixel size | 10µm |
| Sensor format | 4/3 inch | Power delivery | DC12V (12pin connector) AC Adapter (accessory) |
| Effective resolution | 1920 x 1080 (full HD) | Electrical Requirements | 20W |
| Interface | USB3.0 | Recording memory | 8GB, 16GB |
| Lens mount | C-mount | Body size | 82mm x 110mm x 185mm |
| Sensitivity | 20V/lx.s (mono) 6V/lx.s (color) | Body weight | 1,320g (8GB) |

HAS-D71



- ◆ VGA resolution at 8,000fps
- ◆ Maximum shooting speed at 120,000fps
- ◆ Well suited for low light conditions

Suitable applications...

- ◆ Cutting
- ◆ Combustion engine
- ◆ Destructive test



Complying with FCC Part 15 Subpart B

| | | | |
|----------------------|-------------------------------------|-------------------------|---|
| Camera type | Monochrome, Color | Exposure time | Minimum 2.5µsec |
| Sensor type | CMOS | Pixel size | 11.2µm |
| Sensor format | 1/1.8 inch | Power delivery | DC12V (12pin connector) AC Adapter (accessory) |
| Effective resolution | 640 x 480 (VGA) | Electrical Requirements | 24W |
| Interface | USB3.0 | Recording memory | 8GB, 16GB |
| Lens mount | C-mount | Body size | 73mm x 118mm x 187.4mm |
| Sensitivity | 38V/lx.s (mono) 20V/lx.s (color) | Body weight | 1,200g (8GB) |

HAS-D73



- ◆ SXGA resolution at 2,000fps
- ◆ Maximum shooting speed at 15,000fps

Suitable applications...

- ◆ Sled test
- ◆ Vehicle vibration, Engine vibration
- ◆ Melting solder

| | | | |
|----------------------|------------------------------------|-------------------------|---|
| Camera type | Monochrome, Color | Exposure time | Minimum 2.5µsec |
| Sensor type | CMOS | Pixel size | 10µm |
| Sensor format | 1 inch | Power delivery | DC12V (12pin connector) AC Adapter (accessory) |
| Effective resolution | 1280 x 1024 | Electrical Requirements | 20W |
| Interface | USB3.0 | Recording memory | 8GB, 16GB |
| Lens mount | C-mount | Body size | 82mm x 110mm x 185mm |
| Sensitivity | 20V/lx.s (mono) 6V/lx.s (color) | Body weight | 1.320g (8GB) |

HAS-EX



- ◆ SXGA resolution at 1,000fps
- ◆ Maximum shooting speed at 120,000fps (TBC)

Suitable applications...

- ◆ Trouble shooting at factories
- ◆ Cutting
- ◆ Crash test

| | | | |
|----------------------|-------------------|-------------------------|-----------------------|
| Camera type | Monochrome, Color | Exposure time | TBC |
| Sensor type | CMOS | Pixel size | 6.6µm |
| Sensor format | 2/3 inch | Power delivery | DC12V1A |
| Effective resolution | 1280 x 1024 | Electrical Requirements | TBC |
| Interface | USB3.0 | Recording memory | 6GB, 12GB (TBC) |
| Lens mount | C-mount | Body size | 98.5mm x 146mm x 70mm |
| Sensitivity | 9.6 V/lux.s | Body weight | Appx. 1,100g |

HAS-EF



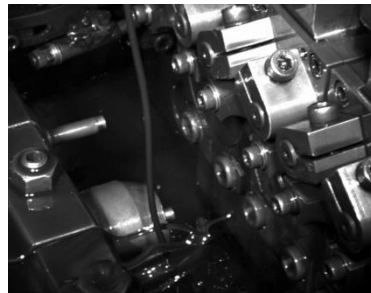
- ◆ Full HD at 500fps, and VGA at 1,400fps
- ◆ Maximum shooting speed at 14,000fps

Suitable applications...

- ◆ Tensile test
- ◆ Compression test
- ◆ Machine behavior
- ◆ Observation of car suspension system

| | | | |
|----------------------|-------------------|-------------------------|---|
| Camera type | Monochrome, Color | Exposure time | Minimum 10.5µsec |
| Sensor type | CMOS | Pixel size | 5µm |
| Sensor format | 1 inch | Power delivery | DC12V (12pin connector) AC Adapter (accessory) |
| Effective resolution | 2560 x 2048 | Electrical Requirements | 12W |
| Interface | USB3.0 | Recording memory | 6GB |
| Lens mount | C-mount | Body size | 46mm x 88.5mm x 127mm |
| Sensitivity | 6V/lx.s | Body weight | 430g |

HAS-U2



- ◆ SXGA at 300fps, and VGA at 1,000fps
- ◆ Maximum shooting speed at 7,500fps
- ◆ Powered by USB3.0 bus power
- ◆ DMA transfer is available

Suitable applications...

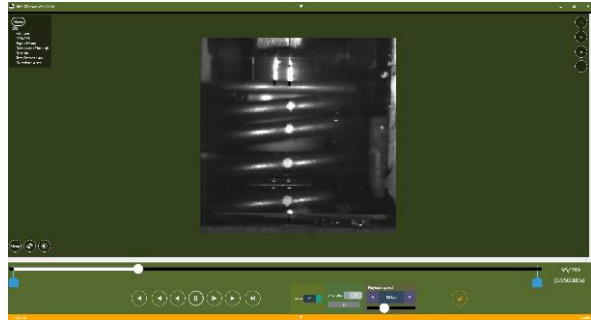
- ◆ Shooting under microscopes
- ◆ Human movement, Sports
- ◆ Fluid flow in a tank,
- ◆ Short time breakdown at production sites



Complying with FCC CFR 47 Part 15 Subpart B

| | | | |
|----------------------|-------------------|-------------------------|----------------------------------|
| Camera type | Monochrome, Color | Exposure time | Minimum 50µsec |
| Sensor type | CMOS | Pixel size | 4.8µm |
| Sensor format | 1 inch | Power delivery | USB bus power 12pin connector |
| Effective resolution | 2592 x 2048 | Electrical Requirements | 4.5W or under |
| Interface | Micro-B | Recording memory | 2GB |
| Lens mount | C-mount | Body size | 44mm x 44mm x 81.5mm |
| Sensitivity | 7.5V/lx.s | Body weight | Appx. 210g |

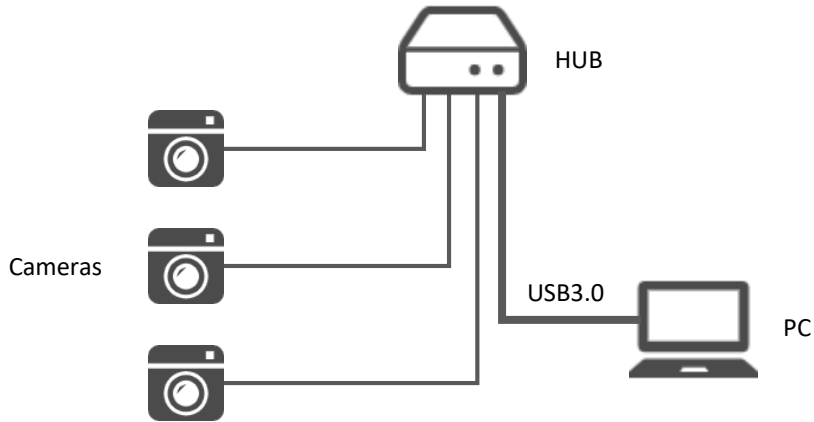
Camera control software "HAS-XViewer"



*HAS-XViewer is included with a purchase of camera.

| | | | |
|-----------|--|------------------------|---|
| Functions | Live view rotation / grid display / gain / gamma / bit shift / white balance, etc. | Trigger | Start / End / Variable / Motion trigger |
| Display | Live / Stop / Playback | Supported image format | AVI / WMV / MP4 / BMP / JPEG / PNG |
| Recording | Normal / Endless loop | Supported OS | Windows 7 / 8.1 / 10 |

Multi-camera recording



Optional products

Lighting options

LED Strobe Lighting



Halogen Lighting



LED Fiber Lighting



Laser Sheet Lighting



Lens options

C-mount lens

- ◆ Fixed lenses, Wide-angle lenses, Telescope lenses, Zoom lenses are available to add to your order.

F-mount lens

- ◆ Using an adapter, F-mount lenses are also available to use with DTECT's cameras.

*Please ask for more details.

Memory options

- ◆ Standard memory size of HAS-DX and HAS-D7 series is 8GB.
- ◆ Memory size of 16GB is also available.

*Please ask for more details.

Long-time recording option

- ◆ Long time recording system for small high speed cameras (HAS-U2 and HAS-U1).
- ◆ Available for multi-windows, video editing, several types of measurements, and various output formats (AVI, WMV, BMP, JPEG).



If you have any questions, please feel free to contact us.
 Email: support@ditect.co.jp
 Phone: +81-3-5457-1212