

MV-CS050-60UM

5 MP 1/2.5" CMOS USB3.0 Area Scan Camera



GEN<i>i>CAM

US3™
VISION

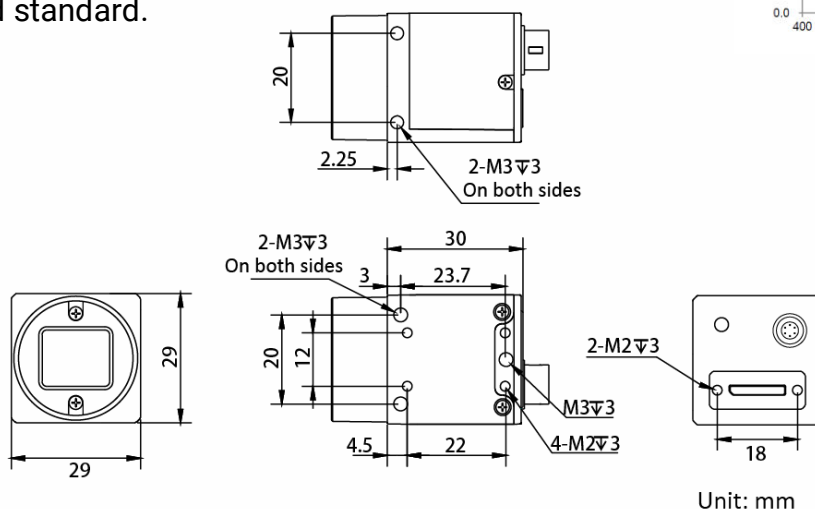
Introduction

MV-CS050-60UM camera adopts CMOS sensor to provide high-quality images. It uses USB3.0 interface to transmit non-compressed images in real time, and its max. frame rate can reach 48.2 fps in full resolution.

Key Feature

- Adopts brand new design to optimize logical resources.
- Supports contrast ratio, Gamma correction, etc.
- Supports hardware trigger, software trigger, and free run.
- Compact design with mounting holes on panels for flexible mounting from 4 sides.
- Compatible with USB3 Vision Protocol, GenICam Standard, and the third-party software based on the protocol and standard.

Dimension



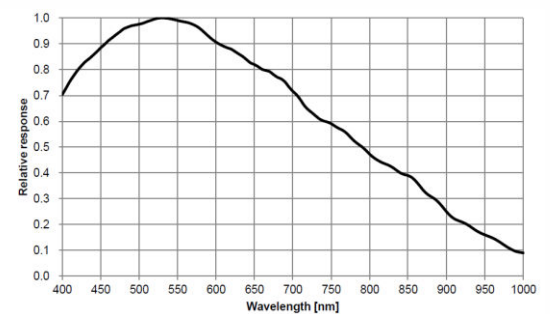
Available Model

MV-CS050-60UM

Applicable Industry

Electronics and semiconductor, factory automation, logistics and code reading, medicine package, etc.

Sensor Quantum Efficiency



Specification

Model	MV-CS050-60UM
Performance	
Sensor type	CMOS, rolling shutter
Sensor model	HK
Pixel size	2.2 μm \times 2.2 μm
Sensor size	1/2.5"
Resolution	2592 \times 1944
Max. frame rate	48.2 fps @2592 \times 1944 Mono 8
Dynamic range	65.4 dB
SNR	40.7 dB
Gain	0 dB to 24 dB
Exposure time	12 μs to 1.25 sec
Exposure mode	Off/Once/Continuous exposure mode, supports Global Reset, Rolling, and Trigger Rolling.
Mono/color	Mono
Pixel format	Mono 8/10/10Packed/12/12Packed
Binning	Supports 1 \times 1, 2 \times 2
Decimation	Supports 1 \times 1, 2 \times 2, 4 \times 4
Reverse image	Supports horizontal and vertical reverse image output
Electrical features	
Data interface	USB3.0, compatible with USB2.0
Digital I/O	6-pin P7 connector provides power and I/O, including opto-isolated input \times 1 (Line 0), opto-isolated output \times 1 (Line 1), bi-directional non-isolated I/O \times 1 (Line 2).
Power supply	9 VDC to 24 VDC, supports USB3.0 power supply
Power consumption	Typ. 2.6 W@5 VDC (USB3.0 provides power supply)
Mechanical	
Lens mount	C-Mount
Dimension	29 mm \times 29 mm \times 30 mm (1.1" \times 1.1" \times 1.2")
Weight	Approx. 80 g (0.18 lb.)
Ingress protection	IP40 (under proper lens installation and wiring)
Temperature	Working temperature: -30 $^{\circ}\text{C}$ to 60 $^{\circ}\text{C}$ (-22 $^{\circ}\text{F}$ to 140 $^{\circ}\text{F}$) Storage temperature: -30 $^{\circ}\text{C}$ to 70 $^{\circ}\text{C}$ (-22 $^{\circ}\text{F}$ to 158 $^{\circ}\text{F}$)
Humidity	20% to 95% RH, non-condensing
General	
Client software	MVS or third-party software meeting with USB3 Vision Protocol
Operating system	32/64-bit Windows XP/7/10, 32/64-bit Linux and 64-bit MacOS
Compatibility	USB3 Vision, GenICam
Certification	CE, FCC, RoHS, KC

HIKROBOT

Hangzhou Hikrobot Co., Ltd.
en.hikrobotics.com

© Hangzhou Hikrobot Co., Ltd. All Rights Reserved.

Hangzhou Hikrobot does not tolerate any infringement. Any organization or individual may not imitate or reproduce in whole or in part of the content. The data herein is based on Hikrobot's internal evaluation. Actual data may vary depending on specific configuration and operating condition. The information herein is subject to change without notice. All the content has been checked conscientiously. Nevertheless, Hikrobot shall not be liable to damages resulting from errors, inconsistencies or omissions.