

MVL-MF2528M-8MP 2/3" 25mm 8MP FA LENS

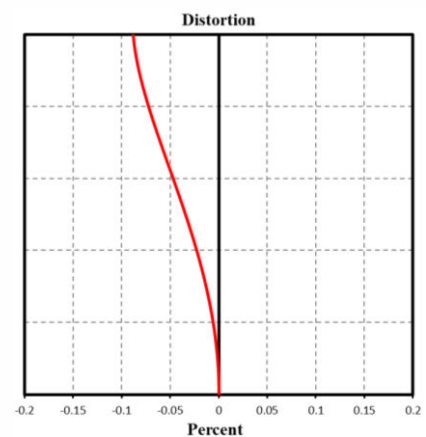
MF series FA Lens are optimized for machine vision light sources and sensor, with high resolution, excellent image quality, high transmittance and good stability. Featured with fixed focal length, manual aperture and compact size, it is suitable for machine vision industry applications and ideal for industrial cameras.



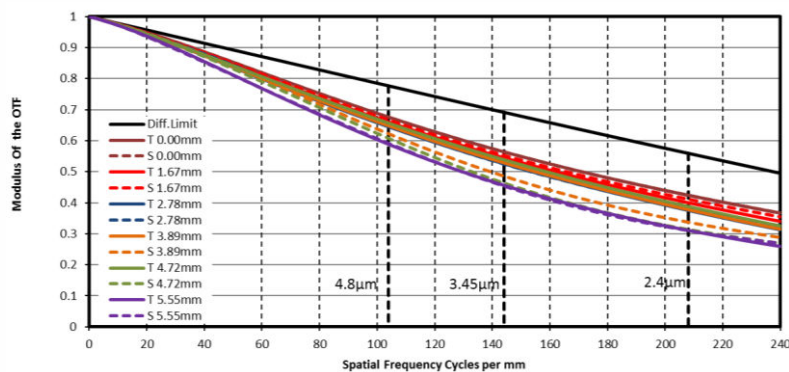
Key Features

- Ultra-high resolution and consistency of image clarity
- Ultra-low distortion and higher relative illumination
- Achromatic optical system design, better image performance with color camera
- Supports ultra-short working distance with good optical performance
- Compact design, excellent vibration resistance and high and low temperature performance

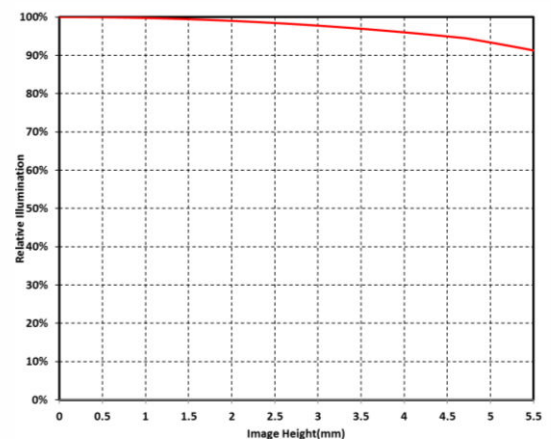
Distortion



MTF



Relative Illumination



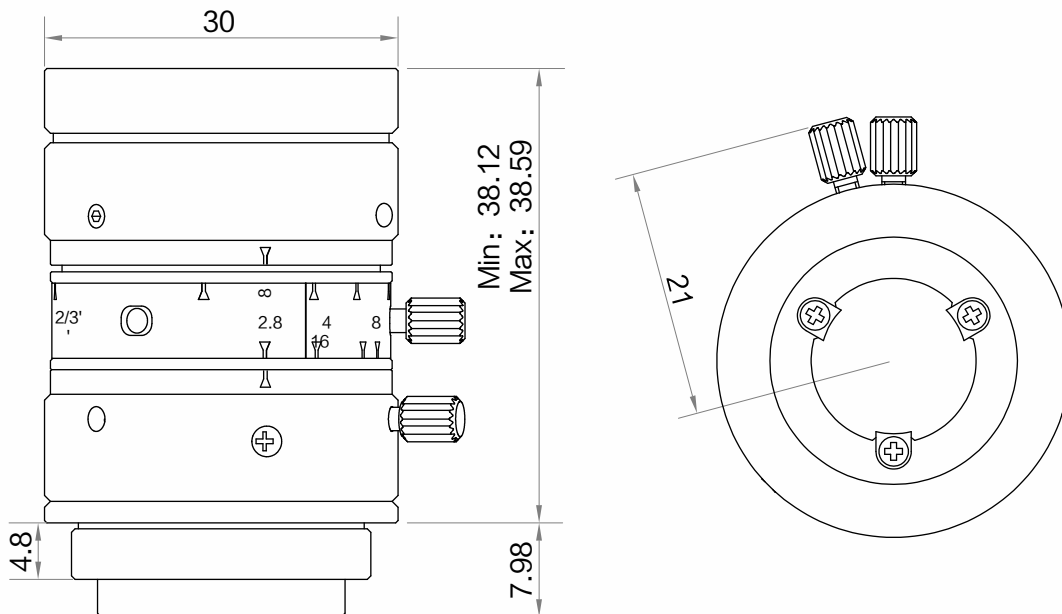
Note: The above curves are the simulate results based on F2.8, $\beta=-0.081$, WD=300 mm.



Specification

Model	MVL-MF2528-8MP
Parameter	Fixed focal length, Manual iris, 8MP, FA Lens
Performance	
Focal Length	25 mm
F-Number	F2.8 ~ F16
Image Size	Φ11 mm(2/3")
Distortion	0.01%
Minimum Operation Distance	0.1 m
Field of View	D (11.1 mm): 23.23° H (8.45 mm): 17.78° V (7.07 mm): 14.91°
Mechanical	
Iris Control	Manual Operation
Focus Control	Manual Operation
Filter Thread	M27×0.5
Mount	C-Mount
Flange Back Length	17.526 mm
Dimension	Φ30×38.59 mm
Weight	60.8 g
Temperature	-10 ~ 50°C
General	
Certification	RoHS2.0

Dimension



Unit: mm

Field of View

Extension (mm)	Working Distance (mm)		Magnification	Field of View(mm)					
				2/3"		1/1.8"		1/2"	
				H(8.45mm)	V(7.07mm)	H(7.38mm)	V(4.92mm)	H(6.22mm)	V(4.67mm)
10	near	47.54	-0.674	12.54	10.49	10.95	7.30	9.23	6.93
	far	80.88	-0.400	21.11	17.66	18.44	12.29	15.54	11.67
5	near	63.19	-0.474	17.83	14.92	15.57	10.38	13.12	9.85
	far	143.26	-0.200	42.20	35.31	36.85	24.57	31.06	23.32
2	near	81.07	-0.354	23.87	19.97	20.85	13.90	17.57	13.19
	far	329.95	-0.080	105.30	88.10	91.96	61.31	77.51	58.19
1	near	90.07	-0.314	26.91	22.52	23.50	15.67	19.81	14.87
	far	639.54	-0.040	209.94	175.65	183.35	122.24	154.53	116.02
0		100	-0.246	34.39	28.77	30.03	20.01	25.30	18.99
		150	-0.162	52.36	43.80	45.72	30.47	38.53	28.92
		200	-0.121	69.87	58.45	61.01	40.66	51.41	38.59
		250	-0.097	87.20	72.95	76.15	50.75	64.17	48.17
		300	-0.081	104.46	87.38	91.22	60.80	76.87	57.70
		350	-0.070	121.66	101.77	106.24	70.81	89.53	67.21
		400	-0.061	138.82	116.14	121.23	80.80	102.16	76.69
		450	-0.054	155.98	130.49	136.22	90.79	114.79	86.18
		500	-0.049	173.11	144.82	151.18	100.76	127.40	95.64
		550	-0.044	190.24	159.16	166.14	110.74	140.01	105.11
		600	-0.041	207.35	173.47	181.08	120.70	152.61	114.57
		650	-0.038	224.47	187.80	196.03	130.67	165.21	124.03
		700	-0.035	241.56	202.10	210.97	140.62	177.79	133.48
		750	-0.033	258.67	216.42	225.91	150.59	190.39	142.93
		800	-0.031	275.77	230.72	240.84	160.54	202.97	152.38
		850	-0.029	292.86	245.02	255.77	170.49	215.56	161.83
		900	-0.027	309.96	259.33	270.71	180.45	228.14	171.28
	950	-0.026	327.05	273.63	285.63	190.40	240.72	180.72	
	1000	-0.025	344.14	287.93	300.56	200.35	253.31	190.17	

HIKROBOT

Hangzhou Hikrobot Technology Co., Ltd.
No.399 Danfeng Road, Binjiang District, Hangzhou 310051, China.
en.hikrobotics.com

Copyright Hikrobot

Hangzhou Hikrobot Technology Co., Ltd. All Rights Reserved. Hangzhou Hikrobot Technology does not tolerate any infringement. Any organization or individual may not imitate or reproduce in whole or in part of the content. The data herein is based on Hikrobot's internal evaluation. Actual data may vary depending on specific configuration and operating condition. The information herein is subject to change without notice All the content has been checked conscientiously. Nevertheless, Hikrobot shall not be liable to damages resulting from errors, inconsistencies or omissions.