

Area Scan Cameras

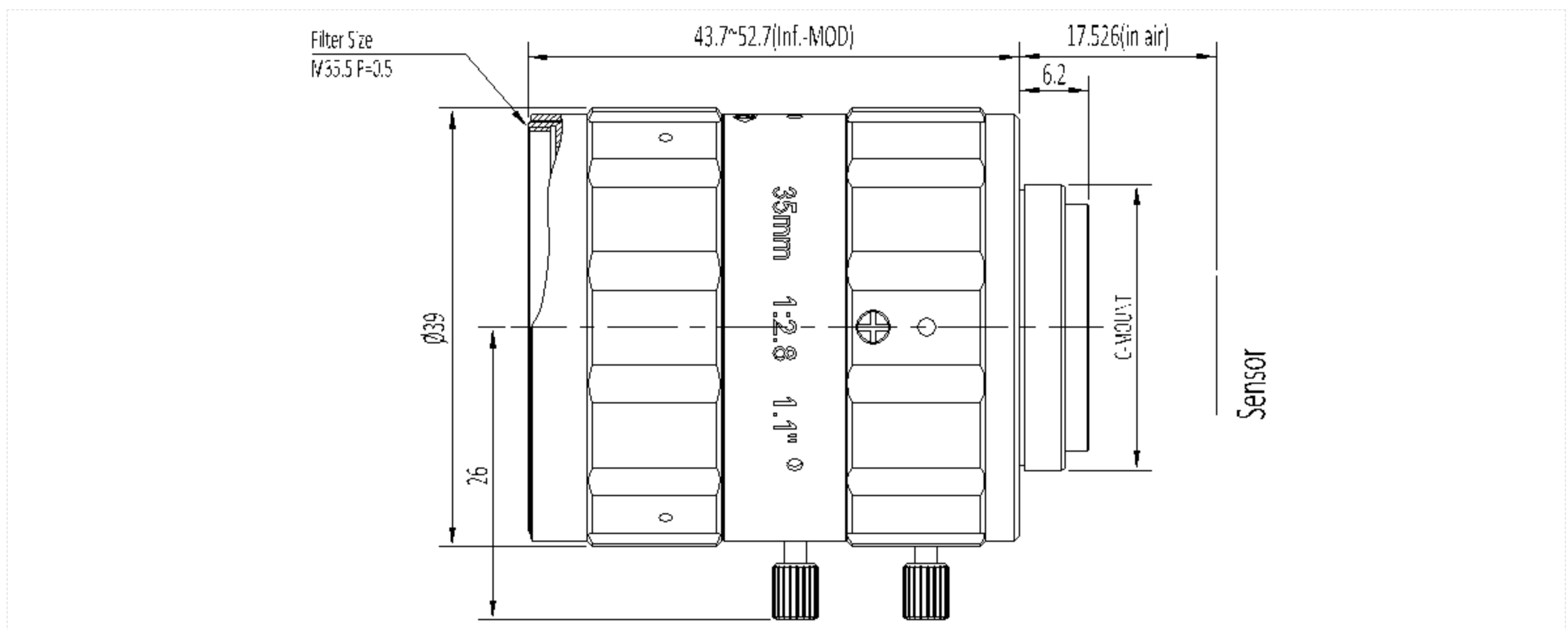
MT3528X



Features

- Support up to 1.1" camera sensors;
- High resolution for 20MP camera in full view, matching 2.4 μ m pixel size;
- Ultra low distortion, TV distortion less than 0.1%;
- Stable sharpness quality when temperature varies from -20°C~50°C;

Dimensions (mm)



Specification

	Model	MT3528X
Basic	Series	MT-X Series
	Model	MT3528X
	Focal Length	35 mm
	Aperture	F2.8 - 16
	Image Sensor Size	Φ17.6 mm(1.1")
	Focus Range	0.2 m to infinite
	Optical Distortion	-0.16%
	TV Distortion	-0.07%
	Field of View	28.2°×22.9°×16.9°(17.6 mm×14.08 mm×10.56 mm)
	Relative Illumination	93% (F2.8); 92% (F4.0)
	CRA (Chief Ray Angle)	9.4°
	Spectral Range	436 nm ~ 656 nm
	Spectral Transmission	T > 85%
Structure	Camera Mount	C - Mount
	Filter Thread	M35.5×P0.5
	Focus Control	Manual
	Iris Control	Manual
	Product Dimensions	50 mm×Φ39 mm
	Weight	125 g
Environment	Operating Temperature	-10°C ~ +50°C