

5000 Series GigE Area Scan Camera

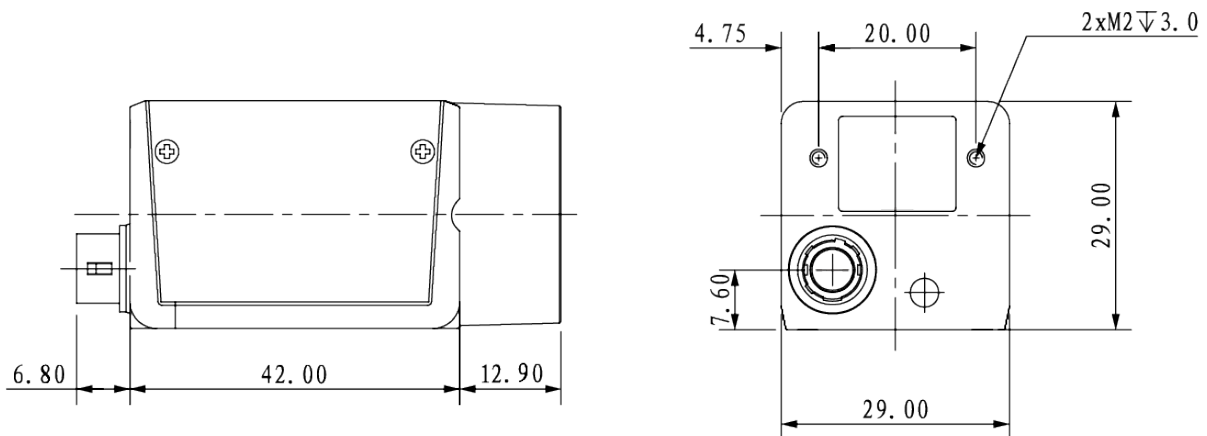
A5051MG200E

Product Features

- Gigabit Ethernet interface, providing 1Gbps bandwidth with a maximum transmission distance of 100m;
- 128MB on-board cache for data transmission or image resend;
- Support Software Trigger/Hardware Trigger/Free Run Mode;
- Support ISP functions including Sharpness/Denoising/Gamma/LUT/BlackLevel Correction/TargetBrightness/Contrast etc.;
- Support multiple image data formats output/ ROI/Mirror, etc.;
- Conform to GigE Vision V2.0 protocol and GenICam standard;
- Support POE power supply, DC 9V~24V wide voltage power supply;
- Conform to CE, FCC, RoHS;



Dimensions (mm)



Technical Specifications

Model Name	A5051MG200E
Sensor	PYTHON 500
Sensor Type	1/3.6" CMOS
Shutter	Global
Resolution	800 x 600
Frame Rate	200
Bit Depth	8
Mono/Color	Mono
Pixel Size	4.8 x 4.8
Pixel	0.5MP
S/N Ratio	38dB
WDR	60dB
Image Format	Mono8/10/10Packed;
Binning	Support
ROI	Support
Decimation	Support
Gain	1~32
Gamma	From 0 ~ 4, support LUT
Exposure Time	1 μ S~1S
Sync Mode	Software Trigger/Hardware Trigger/Free Run Mode
SPC	Support
FPN	Support
User Setting	Support two sets of user-defined configurations
Cache	64MB
Port	GigE, PoE
GPIO	1x 6 pin Hirose: 1x Opto-isolated input, 1x Opto-isolated output, 1 configurable input and output
Lens Mount	C-Mount
Power Supply	PoE/ DC 9V~24V power supply via Hirose interface
Power Consumption	12V \approx 3.3W
Product Dimensions	29mm*29mm*43mm(not including lens mount and rear case connector)
Weight	88g
Working Environment	Storage: - 30°C~+80°C; Operation: - 30°C~+50°C

© 2021 IRAYPLE. All rights reserved. Design and specifications are subject to change without notice.
Pictures in the document are for reference only, and the actual product shall prevail.