

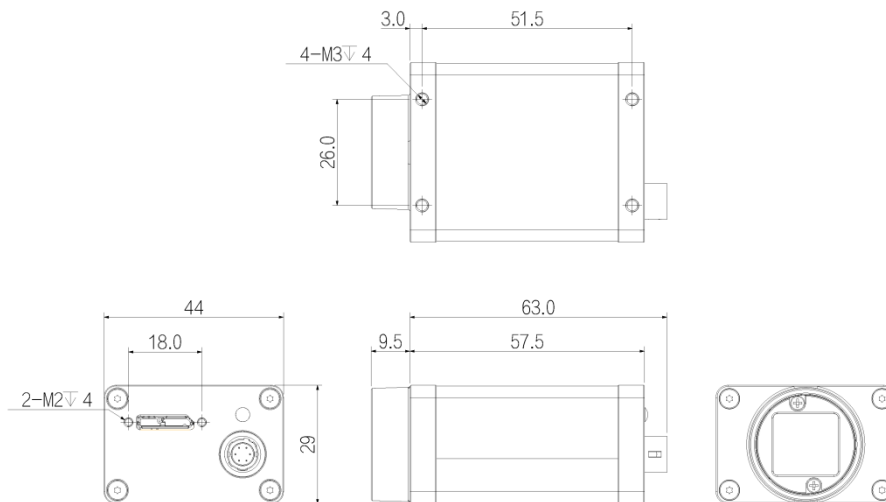
A7900MU200E

Product Features

USB3.0 interface, 5Gbps theoretical transfer bandwidth, power supply via USB interface ;
128MB on-board cache for data transmission or image resend;
Support Software Trigger/Hardware Trigger/Software / Hardware Hybrid Trigger/Free Run Mode;
Support ISP functions including Sharpness/Denoising/Gamma/LUT/BlackLevel Correction/TargetBrightness/Contrast etc. ;
Support multiple image data formats output/ ROI/Binning/Mirror, etc. ;
Compatible with USB3.0 Vision protocol and GenICam standard;



Dimensions (mm)



Technical Specifications

Model Name	A7900MU200E
Bit Depth	10
Exposure Time	26 μ S~1S
Frame Rate	40
GPIO Interface	6 pin Hirose: 1x Opto-isolated input, 1x Opto-isolated output, 1 configurable input and output
Gain	1~32
Gamma	0~4 , Support LUT
Image Buffer	64MB image cache , 64M data cache
Image Format	Mono8/10/10Packed
Image Sensor	1
Lens Mount	C-mount
Mono/Color	Mono
Pixel	9MP
Pixel Size	3.45 x 3.45
Port	USB3.0
Power Consumption	\approx 4.0W
Power Supply	power supply via USB interface/ DC 9V~24V auxiliary power supply via Hirose interface
Product Dimensions	29mm*44mm*58mm(not including lens mount and rear case connector)
ROI	Support
Resolution	4096 x 2160
S/N Ratio	large 38dB
SPC	Support
Sensor	IMX255
Shutter	Global
Trigger Mode	Software Trigger/Hardware Trigger/Free Run Mode
User Setting	Support two sets of user-defined configurations
WDR	large 70dB
Weight	91g
Working Environment	Storage : - 30°C~ 80°C ; Operation : - 30°C~ 50°C
X Flip	Support
Y Flip	Support