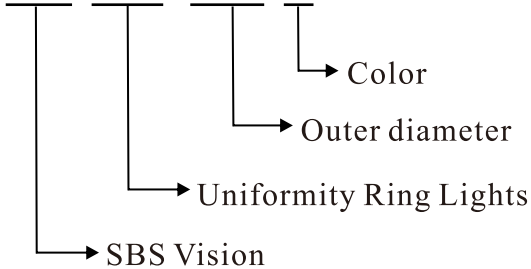


Products Features

- ▶ Using special lighting guide way.
- ▶ High uniformity.

Model Description

SBS-RLU-XXX-X



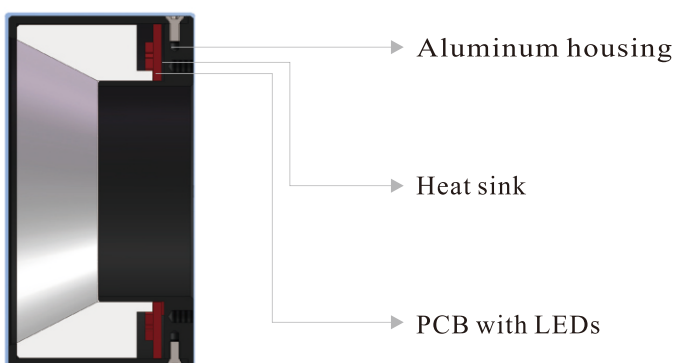
Applications the light be used for

- Chamfer inspection of machining circular parts.
- Characters inspection of arc smooth surface.
- Printing labels inspection and package box defects inspection.
- Bottle mouth scratches inspection
- Coin defects inspection.

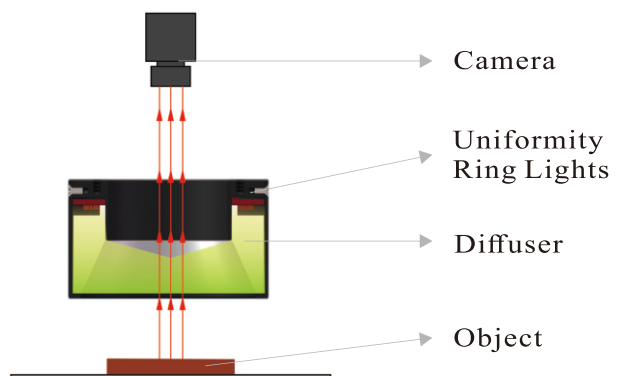
Customization

- Dimensions
- Power
- Color
- Cable length
- Connector
- Mounting

Structure



Components

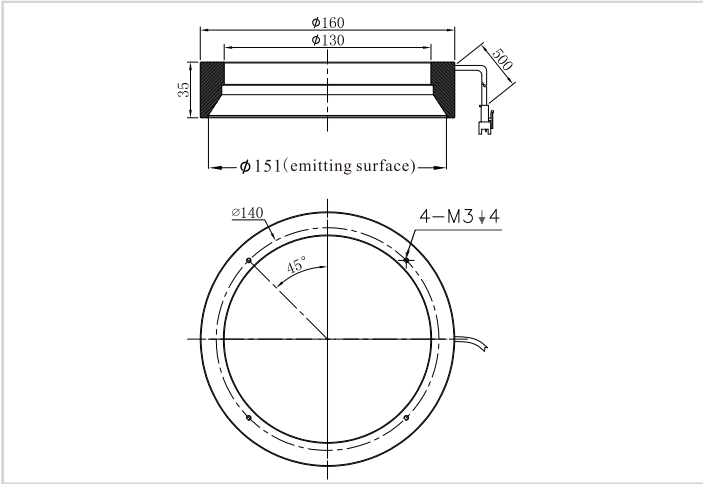


Parameter

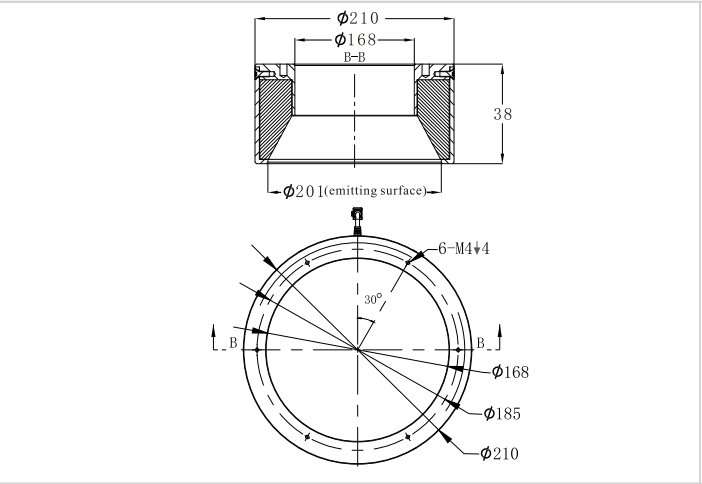
Item	Model	Power consumpition Red Color	Power consumpition (W,B,G)	Option	Extension cable	Recommended Controller
1	SBS-RLU70	24V/5.0W	24V/7.0W	Diffuser	1m/3m/5m	SBS-AC24XX-X (Analog controller) SBS-DC24XX-X (Digital controller) SBS-ODC48XX-X (Strobe controller)
2	SBS-RLU90	24V/7.0W	24V/10.0W	Diffuser	1m/3m/5m	
3	SBS-RLU115	24V/7.7W	24V/11.0W	Diffuser	1m/3m/5m	
4	SBS-RLU140	24V/11.2W	24V/16.0W	Diffuser	1m/3m/5m	
5	SBS-RLU160	24V/15.4W	24V/22.0W	Diffuser	1m/3m/5m	
6	SBS-RLU210	24V/17.5W	24V/25.0W	Diffuser	1m/3m/5m	

Dimensions(mm)

<p style="text-align: center;">SBS-RLU70</p>	<p style="text-align: center;">SBS-RLU90</p>
<p style="text-align: center;">SBS-RLU115</p>	<p style="text-align: center;">SBS-RLU140</p>



SBS-RLU160



SBS-RLU210